

avintage ●●●

2023 / 2024 

BRAND PRESENTATION ●●●

REAL WINE CELLAR SPECIALIST

Avintage® has teamed up with the largest kitchen specialists in Europe to allow to look after your finest bottles. You are sure to find the ideal wine cellar in our wide range of models. All our products have been designed to meet the latest market trends, with a focus on bottles and wine cellars that fit perfectly into today's kitchens.

KNOW-HOW

When choosing your wine cellar, you may keep in mind you will be entrusting it with bottles that you will patiently collect and which represent a real emotional and economic heritage: their total value can in fact far exceed the appliance purchase... And this value increases over the years!

It is therefore essential to entrust your wines to true wine cellar specialists who offer products perfectly adapted to your requirements.

PERFORMANCE, CONTROL AND QUALITY STANDARDS

The quality of Avintage® products is a permanent process. Avintage® factories are certified and meet the strictest standards. The products are subjected to tests and inspections on all functional and aesthetic aspects according to precise protocols.

A PRIVILEGED RELATIONSHIP WITH ITS DISTRIBUTION PARTNERS

Are you a kitchen designer or an Avintage® partner ? Then you can take benefit of specific optional warranties: you have the possibility of extending your 2 years warranty up to 5 years, with replacement. Interfroid Services, our partner in France, oversees the management of spare parts for the 5 years after production and for the entire warranty period. Even beyond the borders, you have a service department that is insured by our European distributors in their own territory.

The storage in France of spare parts and accessories gives you the certainty of always having the right solution. Internationally, the warranty is governed by the rules of the territory. Please contact your local distributor or kitchen designer for more information about your product warranty.



THE BUILT-IN SERVICE CELLAR

What could be better than enjoying a wine in the best conditions?

Avintage® offers a complete range of ultra-quiet service cellars specially designed for your kitchen so that you always have bottles close at hand and at the right temperature. Single, double or triple zone models, from 8 to 109 bottles, fit perfectly into your kitchen.

Avintage® combines performance with elegance!

AVINTAGE X VINOTAG

All Avintage® wine cellars are compatible with Vinotag®, the wine cellar management application.

This application allows you to establish your digital wine library in real time; to be alerted of the stock level and the peak dates of your favourite wines; to access detailed wine files by simply taking pictures of the bottle labels thanks to our partnership with Vivino®.



REGISTER OF YOUR WINE LIBRARY



STOCK AND PEAK DATE ALERTS



ESOMMELIER® ASSISTED PLACEMENT



THE AGEING CELLAR

With its history and knowledge of the world of wine, Avintage® offers ultra-sophisticated products that will replace the best underground wine cellars.

The wine cellars of the DIVA EVOLUTION range are all equipped with touch-sensitive control panel allowing CLIMACONTROL® electronic management by LCD display of data such as: hygrometry, temperature, lighting mode, winter system, alarms.



DOWNLOAD THE APP





B U I L T I N C O L U M N



PRESENTATION OF THE RANGE

BUILT IN COLUMN

Service wine cellars are generally used as a relay to a larger ageing wine cellar in the cellar, the scullery or the garage. Your bottles remain within easy reach!

Because people often want to keep different wines on hand, Avintage® service wine cellars fit perfectly into gourmet kitchens and preserve wines at a uniform temperature.

Thanks to their wide range of settings, you can keep your bottles at the perfect tasting temperature. Discover all our products, classified by height (called Niche).

45 Niche cm	06
60 Niche cm	07
88 Niche cm	08
105 Niche cm	09
122 Niche cm	10
178 Niche cm	11

For the proper functioning of the devices, follow the installation diagrams on page 22.

4 5 NICHE - Single zone

BUILT IN COLUMN

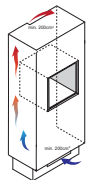


AVI24S2X



24 bottles
37 dB
Single zone service wine cellar

- 3 sliding wooden shelves with stainless steel front
- Reversible door with anti-UV triple layer glass, stainless steel frame
- Adjustable temperature 5 - 20 °C
- W 59.0 x D 55.7 x H 45.5 cm

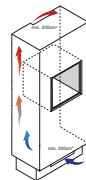


AVI24PREMIUM



24 bottles
38 dB
Single zone service wine cellar
Push-pull open and close system

- 3 sliding wooden shelves with stainless steel front
- Door with anti-UV triple layer glass, stainless steel frame
- Adjustable temperature 5 - 18 °C
- W 59.4 x D 55.5 x H 45.9 cm



PUSH-PULL SYSTEM

No need for a handle to open and close your door. A slight bit of pressure on the top corner on the left side and it's done!

60 NICHE - Dual Zone and Single zone

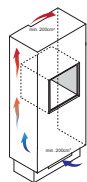
BUILT IN COLUMN



AVI60CDZF



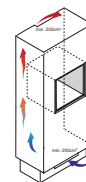
- 36 bottles
- 38 dB
- Dual zone service wine cellar
- 3 sliding wooden shelves
- Reversible door with anti-UV triple layer glass, stainless steel frame
- Adjustable temperature 5 - 12 °C / 12 - 20 °C
- W 59.0 x D 56.0 x H 59.5 cm



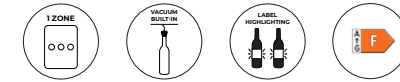
AVI60FPREMIUM



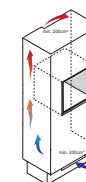
- 36 bottles
- 38 dB
- Dual zone service wine cellar
- Push-pull open and close system**
- 3 multi-position sliding wooden shelves
- Door with anti-UV triple layer glass, stainless steel frame
- Adjustable temperature 5 - 12 °C / 12 - 20 °C
- W 59.0 x D 56.0 x H 59.5 cm



AVI63CSZF



- 33 bottles
- 37 dB
- Single zone service wine cellar
- Autovac® integrated in the cellar : preserves from air oxydation**
- Vertical storage for 4 bottles**
- 4 sliding wooden shelves
- Door with anti-UV triple layer glass, stainless steel frame
- Adjustable temperature 5 - 20 °C
- W 59.0 x D 56.0 x H 59.5 cm



88 NICHE - Dual Zone

BUILT IN COLUMN

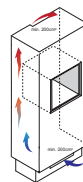


AVI47XDZA



52 bottles
36 dB
Dual zone service wine cellar

- 4 sliding wooden shelves
- 1 fixed display shelf
- Reversible door with anti-UV triple layer glass, stainless steel frame
- Adjustable temperature 5 - 18 °C / 5 - 18 °C
- W 59.4 x D 55.5 x H 88.7 cm

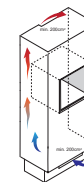


AVI48CDZA



52 bottles
36 dB
Dual zone service wine cellar

- 4 sliding wooden shelves
- 1 fixed display shelf
- Reversible door with anti-UV triple layer glass, stainless steel frame
- Adjustable temperature 5 - 18 °C / 5 - 18 °C
- W 59.2 x D 55.6 x H 88.7 cm

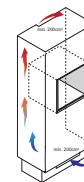


AVI48PREMIUM



52 bottles
36 dB
Dual zone service wine cellar
Push-pull open and close system

- 4 sliding wooden shelves
- 1 fixed display shelf
- Door with anti-UV triple layer glass, stainless steel frame
- Adjustable temperature 5 - 18 °C / 5 - 18 °C
- W 59.4 x D 55.5 x H 88.7 cm



NICHE 105 - Dual Zone

BUILT IN COLUMN



AVI76PREMIUM



76 bottles

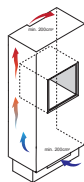
39 dB

Dual zone service wine cellar

Oven + microwave niche

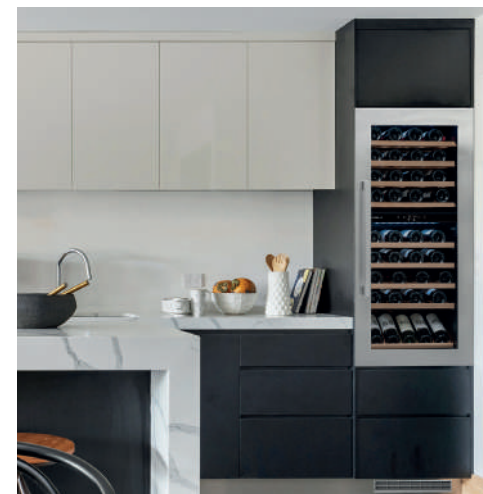
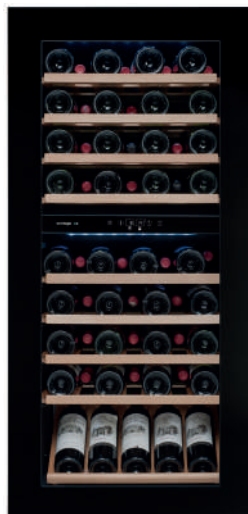
Push-pull open and close system

- 6 multi-position sliding wooden shelves
- 1 fixed display shelf
- Reversible door with anti-UV triple layer glass, stainless steel frame
- Adjustable temperature 5 - 12 °C / 12 - 20 °C
- W 58.9 x D 55.7 x H 105.5 cm



122 NICHE - Dual Zone

BUILT IN COLUMN

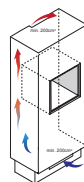


AVI81XDZA



79 bottles
38 dB
Dual zone service wine cellar

- 8 sliding wooden shelves
- 1 fixed display shelf
- Reversible door with anti-UV triple layer glass, stainless steel frame
- Adjustable temperature 5 - 18 °C / 5 - 18 °C
- W 59.5 x D 55.6 x H 123.3 cm

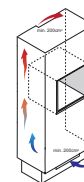


AVI82PREMIUM



79 bottles
38 dB
Dual zone service wine cellar
Push-pull open and close system

- 8 sliding wooden shelves
- 1 fixed display shelf
- Door with anti-UV triple layer glass, stainless steel frame
- Adjustable temperature 5 - 18 °C / 5 - 18 °C
- W 59.4 x D 55.5 x H 123 cm



NICHE 178 - Triple Zone

BUILT IN COLUMN



TRIPLE ZONE

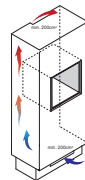


AVI97AX3ZI



97 bottles
38 dB
Triple zone service wine cellar

- 9 sliding wooden shelves
- 1 sliding display shelf
- Reversible door with anti-UV double layer glass, stainless steel frame
- Adjustable temperature 5-20°C / 5-10°C / 10-20°C
- W 59,5 x D 55,7 x H 178,8 cm

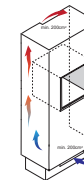


AVI98AC3ZI



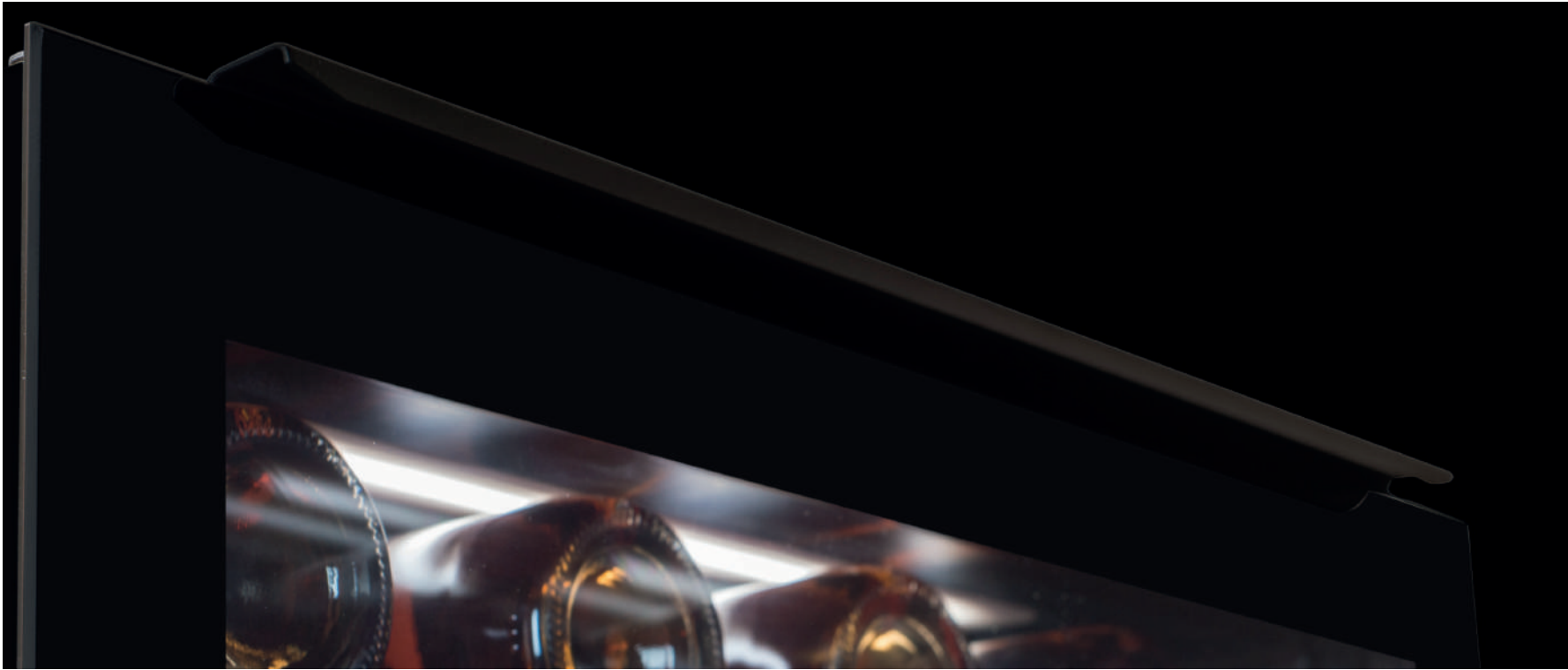
97 bottles
38 dB
Triple zone service wine cellar

- 9 sliding wooden shelves
- 1 sliding display shelf
- Reversible door with anti-UV double layer glass, stainless steel frame
- Adjustable temperature 5-20°C / 5-10°C / 10-20°C
- W 59,5 x D 55,7 x H 178,8 cm





B U I L T U N D E R C O U N T E R H E I G H T 8 2 C M



PRESENTATION OF THE RANGE

BUILT UNDER COUNTER - 82 CM HEIGHT

Avintage® equips its entire range of under counter wine cellars with discreet handles under the worktop. The doors of our wine cellars will easily adapt to any kitchen style.

These built in or under counter wine cellars have the dimensions and ventilation systems designed to fit into the kitchens of leading European manufacturers.

With their independent compartments, Avintage® wine cellars leave room for all desires. Each compartment offers the bottles a dedicated temperature, to make their tasting an unforgettable experience. Discover all our products, classified by width.

82 cm height	14 - 18
15 cm width	14
30 cm width	15
60 cm width	16 - 18
Freestanding & Built in	19

For the proper functioning of the devices, follow the installation diagrams on page 23.

15 WIDTH - Single zone

BUILT UNDER COUNTER



AVU8TXA

AVU8TNA

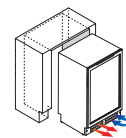
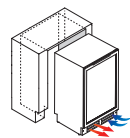


8 bottles
39 dB
Single zone service wine cellar
Possible vertical storage

8 bottles
39 dB
Single zone service wine cellar
Possible vertical storage

- 6 steel wire shelves
- Reversible door with anti-UV triple layer glass, stainless steel frame
- Adjustable temperature 5 - 20 °C
- 4 adjustable feet of 6.5 cm
- W 14.5 x D 54.8 x H 82/88.5 cm

- 6 steel wire shelves
- Reversible door with anti-UV triple layer glass, stainless steel frame
- Adjustable temperature 5 - 20 °C
- 4 adjustable feet of 6.5 cm
- W 14.5 x D 54.8 x H 82/88.5 cm



30 WIDTH - Single and Dual Zone

BUILT UNDER COUNTER

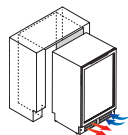


AVU22TX1



22 bottles
37 dB
Single zone service wine cellar
Possible vertical storage

- 4 steel wire shelves with wooden front
- Reversible door with anti-UV triple layer glass, stainless steel frame
- Adjustable temperature 5 - 20 °C
- 4 adjustable feet of 7.0 cm
- W 29.5 x D 57.4 x H 81.7/88.7 cm

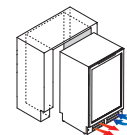


AVU23TB1



22 bottles
37 dB
Single zone service wine cellar
Possible vertical storage

- 4 steel wire shelves with wooden front
- Reversible door with anti-UV triple layer glass, stainless steel frame
- Adjustable temperature 5 - 20 °C
- 4 adjustable feet of 7.0 cm
- W 29.5 x D 57.4 x H 81.7/88.7 cm

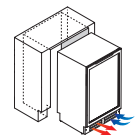


AVU27TDZB1



25 bottles
38 dB
Dual zone service wine cellar

- 3 steel wire shelves with wooden front
- Reversible door with anti-UV triple layer glass, stainless steel frame
- Adjustable temperature 5 -12 °C / 12 - 20 °C
- 4 adjustable feet of 7.0 cm
- W 29.5 x D 57.4 x H 81.7/88.7 cm



60 WIDTH - Single zone

BUILT UNDER COUNTER

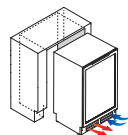


AVU52TX1



53 bottles
38 dB
Single zone service wine cellar

- 4 sliding wooden shelves
- 1 fixed display shelf
- Reversible door with anti-UV triple layer glass, stainless steel frame
- Adjustable temperature 5 - 20 °C
- 4 adjustable feet of 7.0 cm
- W 59.5 x D 57.4 x H 81.7/88.7 cm

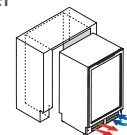


AVU51TB1



53 bottles
38 dB
Single zone service wine cellar

- 4 sliding wooden shelves
- 1 fixed display shelf
- Reversible door with anti-UV triple layer glass, stainless steel frame
- Adjustable temperature 5 - 20 °C
- 4 adjustable feet of 7.0 cm
- W 59.5 x D 57.4 x H 81.7/88.7 cm



DISCREET HANDLE



60 WIDTH - Dual zone

BUILT UNDER COUNTER

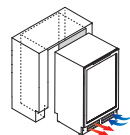


AVU54TDZX1



53 bottles
37 dB
Dual zone service wine cellar

- 4 sliding wooden shelves
- 1 fixed display shelf
- Reversible door with anti-UV triple layer glass, stainless steel frame
- Adjustable temperature 5 - 12 °C / 12 - 20 °C
- 4 adjustable feet of 7.0 cm
- W 59.5 x D 57.4 x H 81.7/88.7 cm

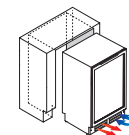


AVU53TDZBF

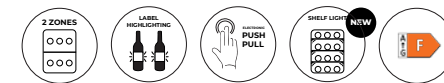


53 bottles
37 dB
Dual zone service wine cellar

- 4 sliding wooden shelves
- 1 fixed display shelf
- Reversible door with anti-UV triple layer glass, stainless steel frame
- Adjustable temperature 5 - 12 °C / 12 - 20 °C
- 4 adjustable feet of 7.0 cm
- W 59.5 x D 57.4 x H 81.7/88.7 cm

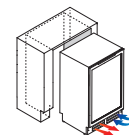


AVU53FPREMIUM



53 bottles
37 dB
Dual zone service wine cellar
Push-pull open and close system

- 4 multi-position sliding wooden shelves
- 1 fixed display shelf
- Door with anti-UV triple layer glass, stainless steel frame
- Adjustable temperature 5 - 12 °C / 12 - 20 °C
- 4 adjustable feet of 7.0 cm
- W 59.5 x D 57.4 x H 81.7/88.7 cm



60 WIDTH - Dual zone et double door

BUILT UNDER COUNTER

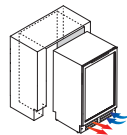


AVU48DPX1



47 bottles
38 dB
Dual zone service wine cellar
Possible vertical storage

- 8 sliding steel wire shelves, wooden front
- Reversible door with anti-UV triple layer glass, stainless steel frame
- Adjustable temperature 5 - 20 °C / 5 - 20 °C
- 4 adjustable feet of 7.0 cm
- W 59.5 x D 57.4 x H 81.7 / 88.7 cm

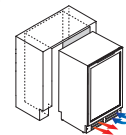


AVU49DPB1



47 bottles
38 dB
Dual zone service wine cellar
Possible vertical storage

- 8 sliding steel wire shelves, wooden front
- Reversible door with anti-UV triple layer glass, stainless steel frame
- Adjustable temperature 5 - 20 °C / 5 - 20 °C
- 4 adjustable feet of 7.0 cm
- W 59.5 x D 57.4 x H 81.7 / 88.7 cm



SMART INSTALLATION

Our wine cellars are designed and engineered to facilitate technical and aesthetic integration in all kitchens.

RECESS PLINTH

The recess plinth of our 30 cm and 60 cm wine cellars is perfect for alignment with the plinths of furniture in all kitchens.



A DISHEVELED

REMOVABLE PLINTH

For an even more discreet integration, the plinths of our under counter products are removable and can be replaced by any common perforated plinth.



PLUMBING PASSAGE

Don't waste space and make your installation easier thanks to the plumbing passage at the bottom of our cellars.



A DISHEVELED

60 WIDTH - Dual zone

WHITE LED SIDE LIGHTING BOTH SIDES

AGEING AREA
55 BOTTLES



SERVICE TEMPERATURE AREA
54 BOTTLES



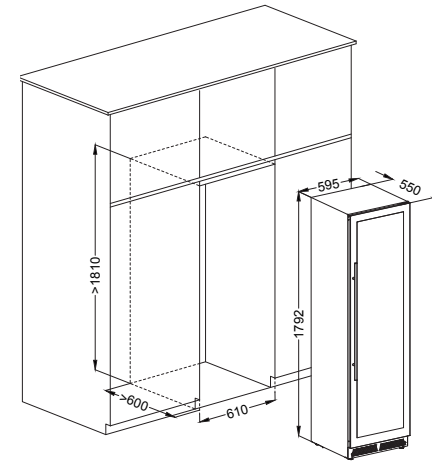
55 CM DEPTH

LOCK

FREESTANDING & BUILT IN

INSTALLATION DRAWING

Ideal depth of 550 mm



AVI110DZB1



109 bottles

38 dB

Dual zone ageing wine cellar

- 14 sliding wooden shelves
- Reversible door with anti-UV triple layer glass, stainless steel frame
- Adjustable temperature 5-12°C / 12-20°C
- W 59.5 x D 55 x H 179.2 cm

LINE HD 88 CM HEIGHT



PRESENTATION OF THE RANGE

BUILT UNDER COUNTER - 88 CM HEIGHT

Avintage® responds to the evolution of worktop heights with a new HD range, height 88 cm and door 78 cm. A new range is perfectly adapted to worktops height 90 cm.

These built in or under counter wine cellars have the dimensions and ventilation systems designed to fit into the kitchens of leading European manufacturers.

With their independent compartments, the Avintage® cellars leave room for all desires. Each compartment offers the bottles a dedicated temperature, to make their tasting an unforgettable experience. Discover all our products, classified by width.

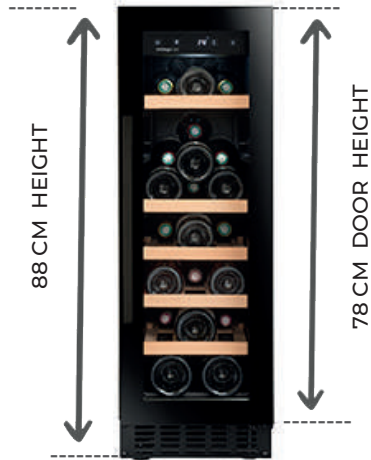
88 cm height 21

30 cm width 21

60 cm width 21

88 HEIGHT - Single and dual zone

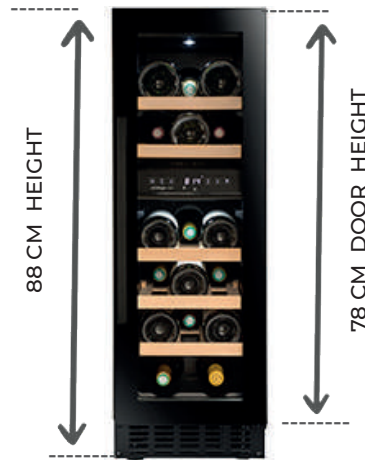
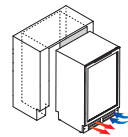
BUILT UNDER COUNTER



AVU30SHD



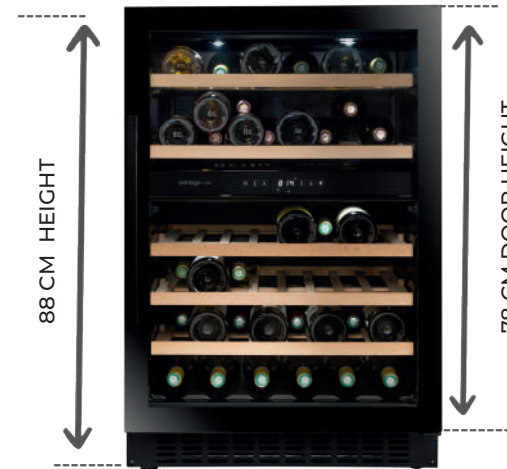
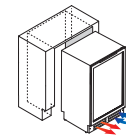
- 23 bottles
- 39 dB
- Single zone serving cellar
- 5 sliding wooden shelves
- Reversible door with anti-UV double layer glass, stainless steel frame
- Adjustable temperature 5-20°C
- W 29,5 x D 57,5 x H 88/95 cm



AVU31DHD



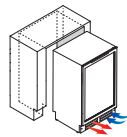
- 20 bottles
- 39 dB
- Dual zone serving cellar
- 5 sliding wooden shelves
- Reversible door with anti-UV double layer glass, stainless steel frame
- Adjustable temperature 5-20°C / 5-20°C
- W 29,5 x D 57,5 x H 88/95 cm



AVU61DHD



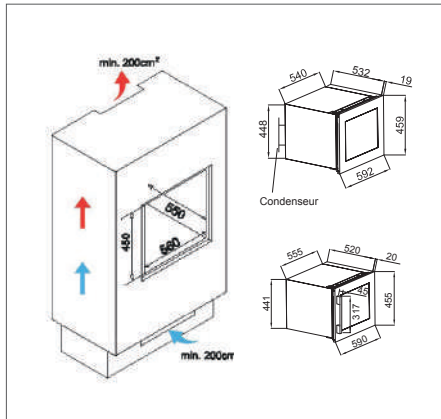
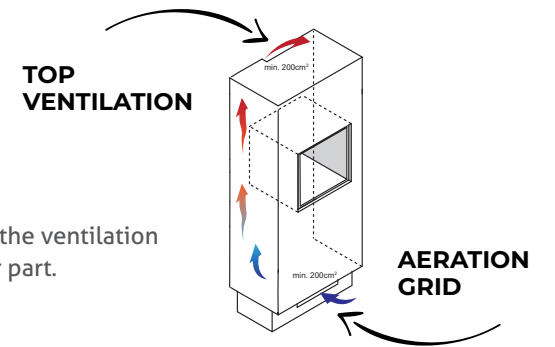
- 54 bottles
- 39 dB
- Dual zone serving cellar
- 5 sliding wooden shelves
- Reversible door with anti-UV double layer glass, stainless steel frame
- Adjustable temperature 5-20°C / 5-20°C
- W 59.5 x D 57.5 x H 88/95 cm



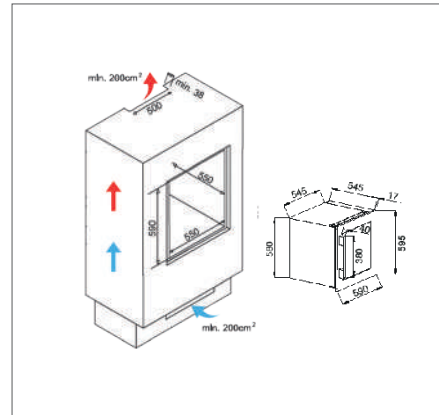
INSTALLATION DRAWINGS

BUILT IN COLUMN

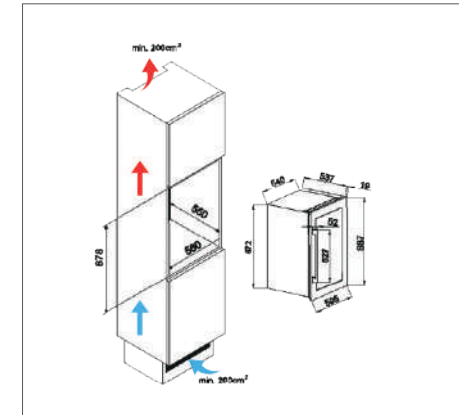
For the proper functioning of a column unit, it is imperative to leave a top and bottom ventilation. The cold air enters through the ventilation grid in the lower part, is transformed into hot air when it comes into contact with the appliance and escapes through the upper part. NEVER INTEGRATE A FREE-STANDING CELLAR.



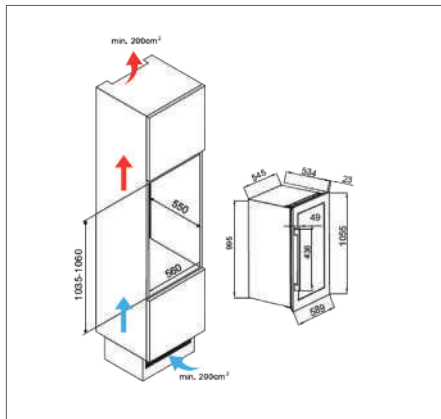
REFERENCE : AVI24PREMIUM (WITHOUT HANDLE); AVI24S2X



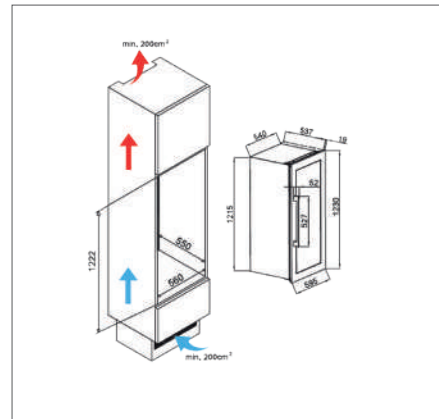
REFERENCES : AVI60CDZF ; AVI63CSZAF ; AVI60FPREMIUM (WITHOUT HANDLE)



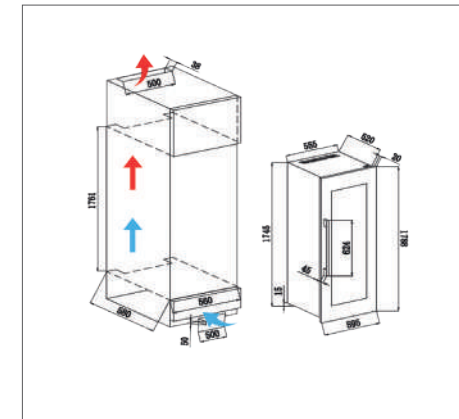
REFERENCES : AVI47XDZA ; AVI48CDZA ; AVI48PREMIUM (WITHOUT HANDLE)



REFERENCES : AVI76PREMIUM (WITHOUT HANDLE)



REFERENCES : AVI81XDZA ; AVI82PREMIUM (WITHOUT HANDLE)



REFERENCES : AVI97AX3ZI ; AVI98AC3ZI



F R E E S T A N D I N G



PRESENTATION OF THE RANGE

Designed for true experts and demanding collectors, Avintage® multi-purpose and ageing wine cellars are exclusively intended to preserve your finest bottles for a long time and allow them to slowly reach their full potential.

Avintage® multi-purpose and ageing wine cellars offer your wines all the conditions - temperature stability, absence of vibration, darkness, humidity, pure air - that reproduce the environment of an ideal natural cellar.

Ageing	26
Polyvalent	27

AGEING

INNOVATION



DHA305PA DIVA



294 bottles
37 dB

Ageing wine cellar

Adjustment of the humidity level*

- 5 fixed PREMIUM 1/70 shelves
- Solid black door with glass cover
- Rear door screen-printed "counter door register"
- Adjustable temperature 8 - 18 °C
- Winter mode
- Locking system
- Humidity controlled and adjustable between 60 and 75%
- W 70 x D 71 x H 183 cm

DHA305PA : Unique product on the wine cellar market.

Perfect control of the cellar's interior humidity. Interior hygrometry totally independent of the room hygrometry. *User-adjustable humidity level between 60 and 75%.



DVA305PA+ DIVA



294 bottles
37 dB

Ageing wine cellar

- 5 fixed shelves PREMIUM 1/70
- Solid black door with glass cover
- Rear door screen-printed "counter door register".
- Temperature adjustable from 8 to 18 °C
- Winter mode
- Locking system
- W 70 x D 71 x H 183 cm



DVA265PA+ DIVA



264 bottles
37 dB

Ageing wine cellar

- 5 fixed PREMIUM 1/62 shelves
- Solid black door with glass cover
- Rear door screen-printed "counter door register"
- Adjustable temperature 8 - 18 °C
- Winter mode
- Locking system
- W 62 x D 71 x H 186 cm



DVA305G DIVA



294 bottles
37 dB

Ageing wine cellar

- 5 fixed shelves PREMIUM 1/70
- Reversible door with anti-UV double layer glass, stainless steel frame
- Temperature adjustable from 8 to 18 °C
- Winter mode
- Locking system
- W 70 x D 71 x H 183 cm

POLYVALENT



DVP265G DIVA



264 bottles
37 dB
Polyvalent wine cellar

- 5 fixed PREMIUM 1/62 shelves
- Reversible door with anti-UV double layer glass, stainless steel frame
- Winter mode
- Locking system
- W 62 x D 71 x H 186 cm



DVP305G DIVA



264 bottles
37 dB
Polyvalent wine cellar

- 3 fixed PREMIUM 1/70 shelves
- 2 fixed COLLECTOR 1/70 shelves
- Reversible door with anti-UV double layer glass, stainless steel frame
- Winter mode
- Locking system
- W 70 x D 71 x H 183 cm

THE ⊕ OF THE DIVA RANGE

Electronic regulation CLIMACONTROL®:

- Color LCD display
- Temperature management
- Humidity control

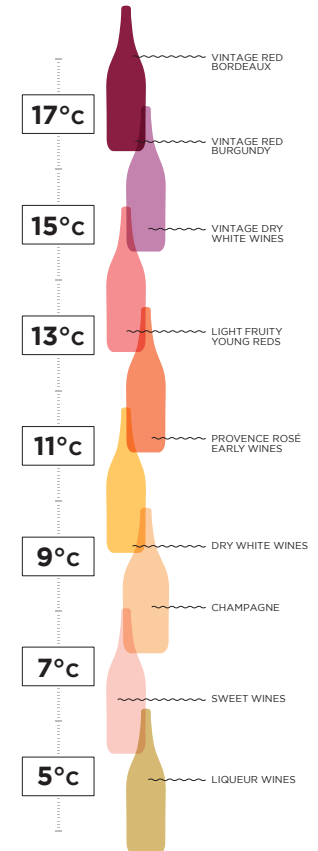


Solid door with a glazed aspect and a screen-printed "cellar register" counter door

LED side lighting



EACH WINE DESERVES TO BE TASTED AT THE IDEAL TEMPERATURE





A C C E S S O R I E S

S A P E L L I - Shelves and drawers



PREMIUM

PREMIUM 1/62 or 1/70
Wooden shelf / Standard



BORDEAUX DRAWER

DRAWER 15 or 15XL
Specific drawer for Bordeaux size bottles



PRESENTATION KIT

PRESENTATION 62 OR 70
Fits on PREMIUM 1/62 or PREMIUM 1/70 shelf, sold without base shelf



COLLECTOR

COLLECTOR 1/62 or 1/70
Reversible wooden shelf Bordeaux/Bourgogne



MAGNUM DRAWER

DRAWER 20 or 20XL
Specific drawer for magnum bottles



DISPLAY 62

DISPLAY 62 or 70
Display shelf complete with base shelf



UNIVERSELLE

UNIVERSELLE 1/62 or 1/70
Wooden shelf / Design Storage: spade head



CHAMPAGNE BOX

BOX 26 or 26XL
Specific drawer at the bottom of the cellar for champagne bottles



LATERAL SHELF

LATERAL SHELF 1/62 or 1/70
Wooden shelf / Design Storage: Highlighting of labels

OTHER SHELVES



UNIVERSELLE

UNIVERSELLE 1/62
Beech shelf Design



CLASSIQUE

CLASSIQUE 2/62
Wire shelf with black wood

OTHER ACCESSORIES



RAILS

RAILV3



THERMOMETER HYGROMETER

BLTY01



BOX FOR LAVA STONES



LAVA STONES



ACTIVE CHARCOAL FILTER

FILTRE1



LABELS



S P E C I F I C A T I O N S

PRODUCT REFERENCE	USE	ADJUSTABLE TEMPERATURE	INSTALLATION	CAPACITY	NOISE LEVEL	ENERGY CLASS	DIMENSIONS	DOOR HEIGHT	NET/GROSS WEIGHT (KG)	REVERSIBLE DOOR	EAN CODE
AVI24S2X	Service	Single zone	Built-in 45 cm	24	37 dB	F	W 59 x D 55,7 x H 45,5 cm	-	27/31	Yes	3595320106640
AVI24PREMIUM	Service	Single zone	Built-in 45 cm	24	38 dB	G	W 59,4 x D 55,5 x H 45,9 cm	-	28/32	No	3595320103748
AVI60CDZF	Service	Dual zone	Built-in 60 cm	36	38 dB	F	W 59 x D 56 x H 59,5 cm	-	33/36	Yes	3595320105292
AVI60FPREMIUM	Service	Dual zone	Built-in 60 cm	36	38 dB	F	W 59 x D 56 x H 59,5 cm	-	33/36	No	3595320107777
AVI63CSZF	Service	Single zone	Built-in 60 cm	33	37 dB	F	W 59 x D 56 x H 59,5 cm	-	32/35	Yes	3595320107814
AVI47XDZA	Service	Dual zone	Built-in 88 cm	52	36 dB	G	W 59,4 x D 55,5 x H 88,7 cm	-	45/49	Yes	3595320105339
AVI48CDZA	Service	Dual zone	Built-in 88 cm	52	36 dB	G	W 59,2 x D 55,6 x H 88,4 cm	-	45/49	Yes	3595320105346
AVI48PREMIUM	Service	Dual zone	Built-in 88 cm	52	36 dB	G	W 59,4 x D 55,5 x H 88,7 cm	-	45/49	No	3595320106046
AVI76PREMIUM	Service	Dual zone	Built-in 105 cm	76	39 dB	G	W 58,9 x D 55,7 x H 105,5 cm	-	47,5/51	No	3595320107029
AVI81XDZA	Service	Dual zone	Built-in 122 cm	79	38 dB	G	W 59,4 x D 55,5 x H 123,3 cm	-	56/60	Yes	3595320105353
AVI82PREMIUM	Service	Dual zone	Built-in 122 cm	79	38 dB	G	W 59,4 x D 55,5 x H 123 cm	-	56/60	No	3595320106060
AVI97AX3ZI	Service	Triple zone	Built-in 178 cm	97	38 dB	G	W 59,5 x D 55,7 x H 178,8 cm	-	106/116	Yes	3595320106213
AVI98AC3ZI	Service	Triple zone	Built-in 178 cm	97	38 dB	G	W 59,5 x D 55,7 x H 178,8 cm	-	106/116	Yes	3595320106220
AVU8TXA	Service	Single zone	Built-under 15 cm	8	39 dB	G	W 14,5 x D 54,8 x H 82/88,5 cm	72 cm	20/22	Yes	3595320106015
AVU8TNA	Service	Single zone	Built-under 15 cm	8	39 dB	G	W 14,5 x D 54,8 x H 82/88,5 cm	72 cm	20/22	Yes	3595320107166
AVU22TX1	Service	Single zone	Built-under 30 cm	22	37 dB	F	W 29,5 x D 57,4 x H 81,7/88,7 cm	72 cm	23/26	Yes	3595320107098
AVU23TB1	Service	Single zone	Built-under 30 cm	22	37 dB	F	W 29,5 x D 57,4 x H 81,7/88,7 cm	72 cm	24/28	Yes	3595320107487
AVU27TDZB1	Service	Dual zone	Built-under 30 cm	25	38 dB	G	W 29,5 x D 57,4 x H 81,7/88,7 cm	72 cm	26/30	Yes	3595320107074
AVU52TX1	Service	Single zone	Built-under 60 cm	53	38 dB	F	W 59,5 x D 57,4 x H 81,7/88,7 cm	72 cm	42/46	Yes	3595320107135
AVU51TB1	Service	Single zone	Built-under 60 cm	53	38 dB	F	W 59,5 x D 57,4 x H 81,7/88,7 cm	72 cm	42/46	Yes	3595320107142
AVU54TDZX1	Service	Dual zone	Built-under 60 cm	53	37 dB	G	W 59,5 x D 57,4 x H 81,7/88,7 cm	72 cm	42/46	Yes	3595320107128
AVU53TDZBF	Service	Dual zone	Built-under 60 cm	53	37 dB	F	W 59,5 x D 57,4 x H 81,7/88,7 cm	72 cm	42/46	Yes	3595320107791
AVU53FPREMIUM	Service	Dual zone	Built-under 60 cm	53	37 dB	F	W 59,5 x D 57 x H 81,7/88,7 cm	72 cm	42/46	No	3595320107784
AVU48DPX1	Service	Dual zone	Built-under 60 cm	47	38 dB	G	W 59,5 x D 57 x H 81,7/88,7 cm	72 cm	46/50	No	3595320107104
AVU49DPB1	Service	Dual zone	Built-under 60 cm	47	38 dB	G	W 59,5 x D 57 x H 81,7/88,7 cm	72 cm	46/50	No	3595320107111
AVI110DZB1	Ageing	Dual zone	Freestanding & Built in	109	38 dB	G	W 62 x D 71 x H 186 cm	-	78/90	Yes	3595320107579
AVU30SHD	Service	Single zone	Built-under 30 cm	23	39 dB	G	W 29,5 x D 57,5 x H 88 cm	78 cm	26/28	Yes	3595320107494
AVU31DHD	Service	Dual zone	Built-under 30 cm	20	39 dB	G	W 29,5 x D 57,5 x H 88 cm	78 cm	28/30	Yes	3595320107494
AVU61DHD	Service	Dual zone	Built-under 60 cm	54	39 dB	G	W 59,5 x D 57,5 x H 88 cm	78 cm	44/48	Yes	3595320107500
DHA305PA	Ageing	Single zone	Free standing	294	37 dB	G	W 70 x D 71 x H 183 cm	-	83/89	No ²	3595320105155
DVA305PA+	Ageing	Single zone	Free standing	294	37 dB	G	W 70 x D 71 x H 183 cm	-	83/89	No ²	3595320102444
DVA265PA+	Ageing	Single zone	Free standing	264	37 dB	G	W 62 x D 71 x H 186 cm	-	79/86	No ²	3595320102468
DVA305G	Ageing	Single zone	Free standing	294	37 dB	G	W 70 x D 71 x H 183 cm	-	87/93	No ²	3595320102420
DVP265G	Polyvalent	Triple zone	Free standing	264	37 dB	G	W 59,5 x D 55 x H 179,2 cm	-	82/89	No ²	3595320102451
DVP305G	Polyvalent	Triple zone	Free standing	294	37 dB	G	W 70 x D 71 x H 183 cm	-	87/93	No ²	3595320102437

¹ Capacity defined as an indication with 75cl bottles of Bordeaux tradition. The addition of shelves considerably reduces the storage capacity.

² For the DIVA range of products, it is possible to order models with the door opening from right to left (handle on the right).

avintage●●●

143, boulevard Pierre Lefauchaux
72230 Arnage - France

www.avintage.com